

INSTALLATION MANUAL

65028BT

LED
BUILT IN

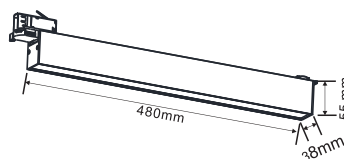


CE

EAC

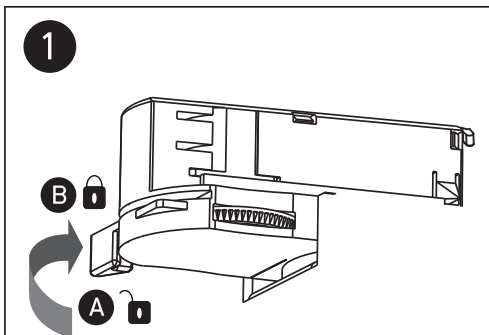
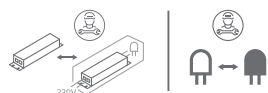
UK
CA

ROHS
COMPLIANT

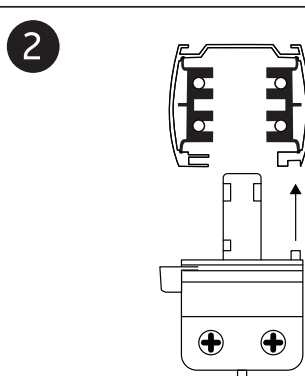


36W | LED | 230V | 50/60Hz | IP20 | Aluminium + PC
Complete with 800mA driver.

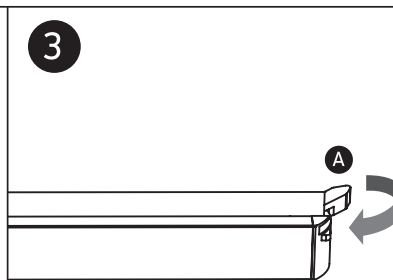
90
CRI



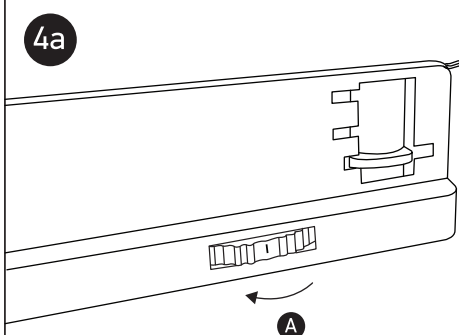
1
To mount the track adaptor into the track system, first check that the selector knob is at position **A**. Move to position **B** to lock the adaptor.



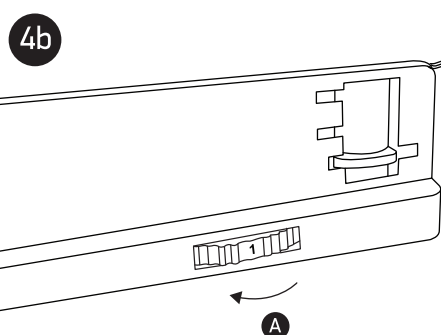
2
When installing the adaptor into the track, ensure that it is orientated correctly.



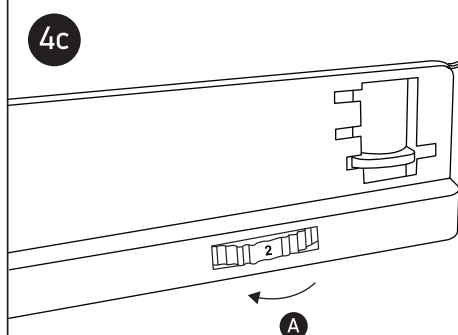
3
Make sure that you also lock knob **A**.



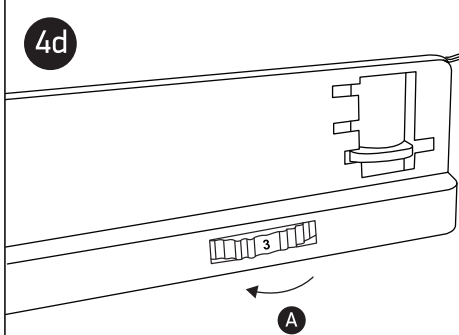
4a
Rotate selector knob **A** to the desired position circuit.



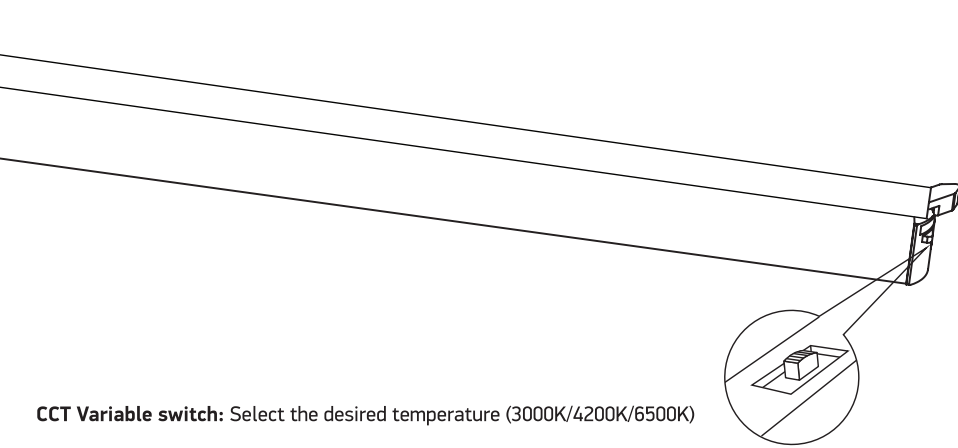
4b
Circuit 1: To connect on circuit 1, from OFF position, rotate the knob **A** to position 1.



4c
Circuit 2: To connect on circuit 2 rotate the knob **A** to position 2.



4d
Circuit 3: To connect on circuit 3 rotate the knob **A** to position 3.



CCT Variable switch: Select the desired temperature (3000K/4200K/6500K)

Warnings:

1. Make sure that the product is installed properly before connecting to electricity.
2. Do not cover the fitting.
3. Maintenance and installation should only be carried out by a professional electrician.